

# ASPT Series

Industrial Pressure Transducer and Transmitters

SILICON BASED MEMS PIEZO RESISTIVE TECHNOLOGY



Your Engineering Partner

## OVERVIEW

The ASPT series pressure transmitter incorporates a media isolated silicon pressure sensor with pressure range from 0.1 bar through to 250 bar. For OEMs that need consistent high levels of performance, reliability and stability the ASPT series units offer all 316L stainless steel wetted parts at an unbeatable price performance ratio. A wide choice of output signal types in addition to various electrical connection and pressure port types means the unit is suitable for most applications without modification.



## APPLICATIONS

- Engine Fuel Pressure Measurement
- Refrigeration and Air Compressor
- Hydraulic Systems
- Water Pressure Measurement
- Autoclaves & ETO Sterilizers
- Liquid and Gas Pressure Measurement
- Circuit Breakers

## FEATURES

- Gauge, Absolute and Vacuum Pressure Measurement
- Lifetime > 100 M Cycles
- Measuring Range From -1 ... 250 bar (other ranges on request)
- Process Temperatures From - 40 ... +125°C
- Wide Range of Pressure Ports and Electrical Connectors
- Housing and Diaphragm made of Premium Stainless Steel
- Customized OEM Versions Available

## PERFORMANCE

Accuracy*	≤ ±0.25% BFSL
Stability (1 Year)	≤ ±0.25% of FS
Insulation Resistance	>100MΩ/500VDC
Over Range Protection	300%F.S. (≤70kPa)   200%F.S. (<10MPa)
Temperature Drift	<+1.5% FS(-20 to 85°C)
Response Time	≤90ms (up to 90%F.S.)
Reverse Polarity Protection	Yes

\*Accuracy includes non-linearity, hysteresis & non-repeatability

## THERMAL

<b>Temperature</b>	
Ambient Temp.	-20°C - 80°C
Medium Temp.	-40°C - 125°C
	(Optional upto 350 Deg C with Cooling Fins)
Storage Temperature	-40°C - 120°C

### Thermal Limits

Compensated Range	0°C - 70°C
TC Zero	≤ ±1.5% FS
TC Span	≤ ±1.5% FS

## ENVIRONMENTAL

EMI/RFI Protection	Yes (Electromagnetic Compatibility Directive 2014/30/EU)
IP Rating*	IP65 minimum
Vibration	20g (25~2000HZ) Sine Curve; IEC 60068-2-6
Shock	200g/1ms; IEC 60068-2-27

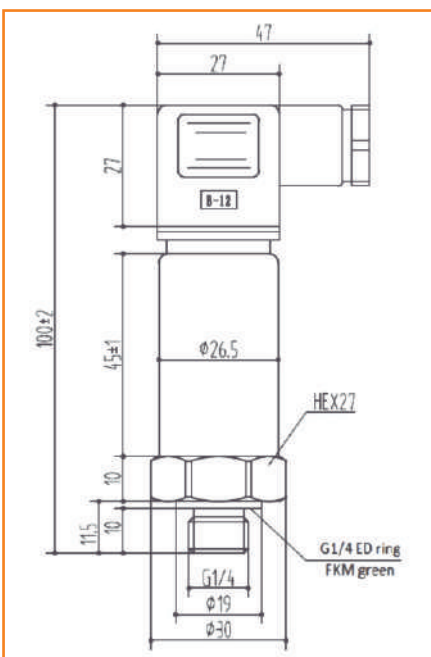
\*IP Rating is dependent on electrical termination selected. Contact factory for more information

\*IP Rating applies when electrical connector is attached with the appropriate ingress protection

## ELECTRICAL

Output	4-20mA	1-5V, 1-6V, 0-5V (3-wire)	0-10V (3-wire)
Excitation	10-28VDC	10-28VDC	15-28VDC

## DIMENSION

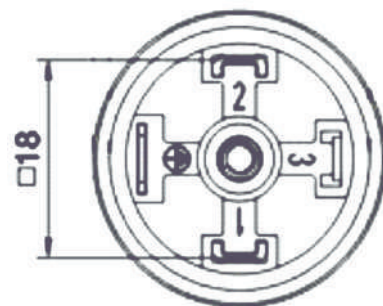


\*Dimensions are for reference only

## WIRING GUIDE

### DIN 43650, FORM A

Output	Pin 1	Pin 2	Pin 3	Wide Pin
4-20mA (2-wire)	+V	-V	N/A	N/A
Voltage (3-wire)	+V	Ground	Signal	N/A
mV (4-wire)+	Signal	Ground	+V	-Signal



## ORDERING GUIDE

# ASPT 11i-25-K-G-1-2-1-L-S

### Model Family

ASPT-11i - Industrial Pressure Transducer

### Pressure Range

Insert pressure code

Consult factory for pressures above 3750 PSI

### Pressure Unit

P = PSI

B = Bar

K = KG/CM<sup>2</sup>

M = Millibar

W = Inches of H<sub>2</sub>O

### Pressure Reference

A = Absolute

V = Vacuum (Gauge)

C = Vacuum (Sealed Gauge)

G = Gauge

S = Sealed Gauge

### Output

1 = 4-20 mA

2 = 1-5V

3 = 0-5V

4 = 0.5-4.5V

5 = 0-10V

6 = 1-10V

### Options

S = Snubber

C = Cooling Adapter

(upto 250 Deg C)

D = Headmount Display

### Wetted Material

L = 316L SS

### Process Connection

1 = G 1/4"

2 = G 1/2"

3 = M20X1.5-6G

4 = M14X1.5

5 = 1/4" NPT

6 = 1/2" NPT

### Electrical

1: Mini-DIN

2: Big-DIN

3: Packard 3-Pin

4: 1m Cable

5: M12 X 1

Due to continuous development of our products technical informations are subject to change.

\*Contact factory for custom configurations not shown

